

По вопросам продаж и поддержки обращайтесь:

Алматы (7273)495-231	Казань (843)206-01-48	Новокузнецк (3843)20-46-81	Смоленск (4812)29-41-54
Архангельск (8182)63-90-72	Калининград (4012)72-03-81	Новосибирск (383)227-86-73	Сочи (862)225-72-31
Астрахань (8512)99-46-04	Калуга (4842)92-23-67	Омск (3812)21-46-40	Ставрополь (8652)20-65-13
Барнаул (3852)73-04-60	Кемерово (3842)65-04-62	Орел (4862)44-53-42	Сургут (3462)77-98-35
Белгород (4722)40-23-64	Киров (8332)68-02-04	Оренбург (3532)37-68-04	Тверь (4822)63-31-35
Брянск (4832)59-03-52	Краснодар (861)203-40-90	Пенза (8412)22-31-16	Томск (3822)98-41-53
Владивосток (423)249-28-31	Красноярск (391)204-63-61	Пермь (342)205-81-47	Тула (4872)74-02-29
Волгоград (844)278-03-48	Курск (4712)77-13-04	Ростов-на-Дону (863)308-18-15	Тюмень (3452)66-21-18
Вологда (8172)26-41-59	Липецк (4742)52-20-81	Рязань (4912)46-61-64	Ульяновск (8422)24-23-59
Воронеж (473)204-51-73	Магнитогорск (3519)55-03-13	Самара (846)206-03-16	Уфа (347)229-48-12
Екатеринбург (343)384-55-89	Москва (495)268-04-70	Санкт-Петербург (812)309-46-40	Хабаровск (4212)92-98-04
Иваново (4932)77-34-06	Мурманск (8152)59-64-93	Саратов (845)249-38-78	Челябинск (351)202-03-61
Ижевск (3412)26-03-58	Набережные Челны (8552)20-53-41	Севастополь (8692)22-31-93	Череповец (8202)49-02-64
Иркутск (395)279-98-46	Нижний Новгород (831)429-08-12	Симферополь (3652)67-13-56	Ярославль (4852)69-52-93
Россия (495)268-04-70	Киргизия (996)312-96-26-47	Казахстан (7172)727-132	

PUMP PARTS FOR TURBO TURF HYDRO SEEDING SYSTEMS

The first step in ordering parts for a pump on your Turbo Turf Hydro Seeding System is to identify the pump you have. The information on this page may help you to identify your pump but if you need help feel free to call us or to email us a photo of your pump and we can help you identify it.

We are listing the most common parts only. Other parts are available and please call us if you need a part not on this list.

Most Common pump issues.

1. Water leaking between pump and engine. This requires the mechanical seal to be replaced. This is usually caused by the pump running dry.
2. Cracked housing. Sometimes these can be welded or braised. This is usually caused by failure to winterize the unit in freezing weather.
3. Cracked outlet or inlet flange on 50, 100, or 150 gallon units.



If your pump looks like this and you have a 50 or 100 gallon unit it is an SHE-50-X pump. It would be coupled to a 4 H.P. Honda engine if it is the 100 gallon and coupled to a Robin Subaru engine if it is a 50 gallon hydroseeder



If your pump looks like this and you have a 300 gallon unit with a Honda 8 H.P. recoil start you have an HS-300-E8. There have been changes in the parts. Contact the pump manufacturer directly at 800-634-4092 with your pump serial number.



If your pump looks like this and you have a 300 or 500 gallon unit you have an HS-300-EH or an HS-500-EH. Please refer to the parts list for the HS-300-EH & HS-500-EH. This pump would come coupled to an 13 H.P. electric start Honda engine.



If your pump looks like this and you have a 300, 500, 750 or 1000 gallon unit you have a 18 or 19 H.P. Kohler engine is it an FMIG-40-18. If it has a 27 H.P. engine it is an FMIG-27. Older units may have a MIG number on them instead of FMIG.

PARTS FOR THE PUMP USED ON THE 50 & 100 GALLON HYDROSEEDER

(A) Housing for pump on 50 or 100 gallon units. Inlet & Outlet flanges not included.

(B) Outlet Flange. 90 degree elbow flange for the 50 & 100 gallon units.

(C) Inlet Flange. Flange for suction (inlet) for the 50 & 100 gallon units.

Mechanical Seal, Fixes the problem of water leaking between engine and pump.

Impeller, The impeller mounts on engine shaft inside of the pump.

PARTS FOR THE PUMP USED ON THE 150 GALLON HYDROSEEDER

(A) Housing for pump on 150 gallon units. Inlet and outlet flanges not included.

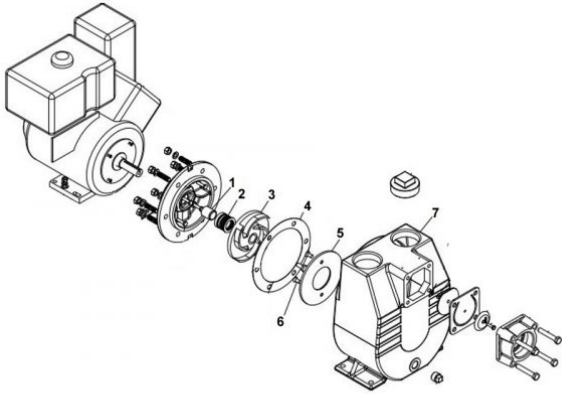
(B) Outlet Flange. 90 degree elbow flange for the 150 gallon units.

(C) Inlet Flange. Flange for suction (inlet) for the 150 gallon units.

Mechanical Seal, Fixes the problem of water leaking between engine and pump.

Impeller, The impeller mounts on engine shaft inside of the pump.

COMMON PARTS FOR MIG-30, MIG-40-18 & MIG-40-27 PUMPS



1. Sleeve to fit MIG-30 pump.

1. Sleeve for MIG-40 pump.

2. Seal kit to fit MIG-30 pump.

2. Seal kit for any MIG-40 pump.

3. Impeller for the MIG-30 pump.

3. Impeller for MIG-40 pump 18 HP.

3. Impeller for MIG-40 pump 27 HP.

4. Gasket for any MIG-30 pump

4. Gasket for any MIG-40 pump

5. Wear plate to fit the MIG-30 pump

5. Wear plate for MIG-40 pump

5. Wear plate screw set for MIG 30 or 40

7. Pump Housing for the MIG-30 pump

7. Pump Housing the MIG-40 pump

Complete MIG-30 pump less engine

Complete MIG-40 pump less engine

По вопросам продаж и поддержки обращайтесь:

Алматы (7273)495-231	Казань (843)206-01-48	Новокузнецк (3843)20-46-81	Смоленск (4812)29-41-54
Архангельск (8182)63-90-72	Калининград (4012)72-03-81	Новосибирск (383)227-86-73	Сочи (862)225-72-31
Астрахань (8512)99-46-04	Калуга (4842)92-23-67	Омск (3812)21-46-40	Ставрополь (8652)20-65-13
Барнаул (3852)73-04-60	Кемерово (3842)65-04-62	Орел (4862)44-53-42	Сургут (3462)77-98-35
Белгород (4722)40-23-64	Киров (8332)68-02-04	Оренбург (3532)37-68-04	Тверь (4822)63-31-35
Брянск (4832)59-03-52	Краснодар (861)203-40-90	Пенза (8412)22-31-16	Томск (3822)98-41-53
Владивосток (423)249-28-31	Красноярск (391)204-63-61	Пермь (342)205-81-47	Тула (4872)74-02-29
Волгоград (844)278-03-48	Курск (4712)77-13-04	Ростов-на-Дону (863)308-18-15	Тюмень (3452)66-21-18
Вологда (8172)26-41-59	Липецк (4742)52-20-81	Рязань (4912)46-61-64	Ульяновск (8422)24-23-59
Воронеж (473)204-51-73	Магнитогорск (3519)55-03-13	Самара (846)206-03-16	Уфа (347)229-48-12
Екатеринбург (343)384-55-89	Москва (495)268-04-70	Санкт-Петербург (812)309-46-40	Хабаровск (4212)92-98-04
Иваново (4932)77-34-06	Мурманск (8152)59-64-93	Саратов (845)249-38-78	Челябинск (351)202-03-61
Ижевск (3412)26-03-58	Набережные Челны (8552)20-53-41	Севастополь (8692)22-31-93	Череповец (8202)49-02-64
Иркутск (395)279-98-46	Нижний Новгород (831)429-08-12	Симферополь (3652)67-13-56	Ярославль (4852)69-52-93
Россия (495)268-04-70	Киргизия (996)312-96-26-47	Казахстан (7172)727-132	